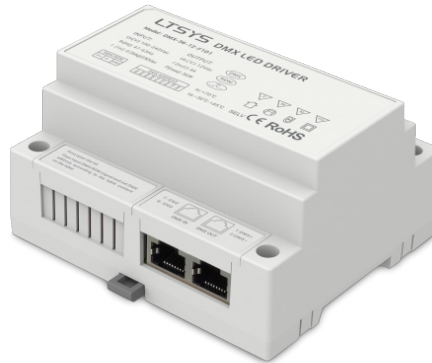


## LED Driver DMX 36W 12V Rail DIN

Reference: DMX-36-12-F1D1



Le contrôleur DMX-36-12-F1D1 dispose d'1 sortie de 3A, avec une alimentation 12VDC intégrée de 36W. Peut facilement être monté sur un rail DIN.

### General

Functions DIN-Rail, RDM

### Input Characteristics

Input Voltage AC 100 ~ 240V  
 Input Frequency 50Hz, 60Hz  
 Power Factor at Full Load +0,99 @ 115VAC, +0,95 @ 230VAC  
 Inrush Current 10A @ 230VAC

### Output Characteristics

Output Voltage 12V  
 Output Current Max 3A  
 LED Output Current (max per output) 3A  
 Output power 36W @ 12V  
 LED Output Voltage 12V  
 LED Outputs 1  
 Maximum power 36W

### Control Characteristics

Output PWM-CV  
 Dimming Protocol DMX, Push DIM, RDM  
 Control Channels 1  
 Dimming Range 0~100%  
 Driver Configuration Dip Switches

### Wiring Specifications

Wire type 2,5mm<sup>2</sup>  
 Wire Strip Length 5mm

### Environmental

IP Classification IP44  
 Operating Temperature -30~+55 °C

### Warranty

Warranty 3 Year

### Protection

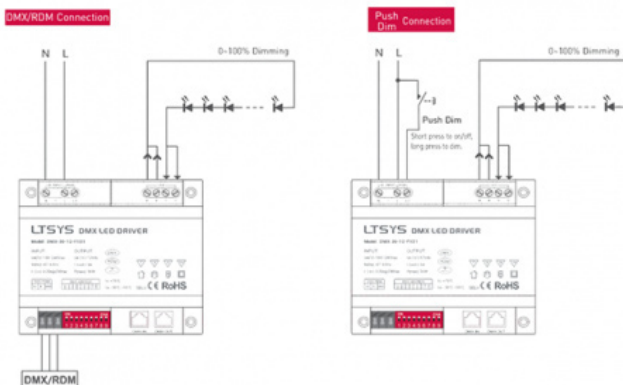
Reverse Polarity Yes  
 LED Output Short Yes  
 Overload Yes

### Standards and Certification

EMC EN55015, EN55024:2010, EN61547:2009, EN61000-4-2,3,4,5,6,8,11, EN61347-1, EN61347-2-13, EN61000-3-2 Class C, EN61000-3-3

### Weight & Dimensions

W x H x D (cm) 10.70 x 8.90 x 5.80  
 Weight (kg) 0.28



The dimming interface priority: First DMX/RDM, next Push Dim.

### Push Dimming



Reset Switch

- On/off control: Short press.
- Stepless dimming: Long press.
- With every other long press, the light level goes to the opposite direction.
- Dimming memory: Brightness will be the same as previously adjusted when turning off and on again.